

Best choice

for spectrum measurement



OTO Photonics Ultra Micro Spectro-module

Suitable for product applications based on spectra measurement

High Spectral Resolution

Ultra micro size

Affordable price

Provide a comprehensive technical support

oto
OTO Photonics

Ultra Micro Spectro-module

Best choice for embeded spectrum measurement

Benefit

OtO offers the easiest-to-integrate spectrometer module

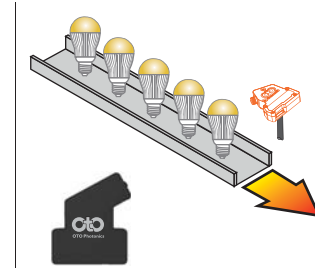
- Provides more efficient tools
- Enables complete verification in production, instead of sampled lab testing
- Allows system integrators to build new spectral solutions quickly

OtO offers comprehensive technical support

- Complete technical support for product development and postsale services
- Spectrometer customization support



Spectrum analyzer



Spectrum monitoring system



Handheld spectrum analyzer

Application



▶ Illuminant Measurement

- LED measurement
- FPD measurement
- General spectroscopy



▶ Color Measurement

- Dyeing industry
- Printing industry



▶ Environmental

- Water quality
- Agricultural
- Atmospheric science



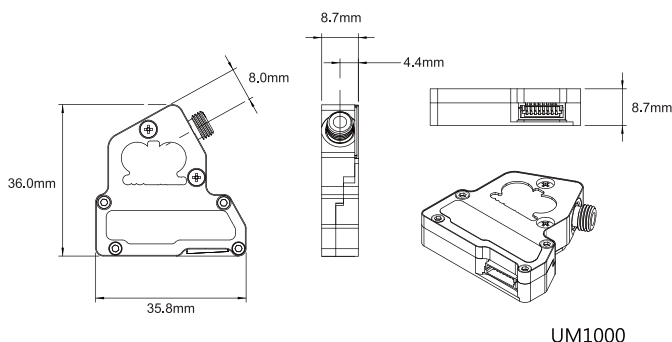
▶ Medical Applications

- Diagnostics; Therapeutic
- Nucleic acid and protein analysis

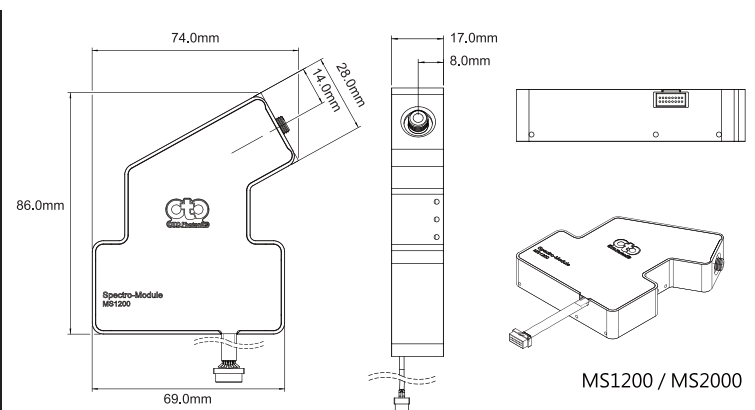
Specification

Model	UM1000	MS1200	MS2000
Characteristic	Ultra Micro Size	High-resolution	Wide Spectral Range
Spectral Resolution	5.0 nm FWHM	1.3 ~ 5.0 nm FWHM	2.5 nm FWHM
Wavelength Range	380-780nm	300-1000 nm, 230-800 nm, 380-780 nm	200-1100 nm
Fiber Optics Connector		SMA905	
Module Interface	CCD I/F		CCD I/F, SPI I/F
Control Board (I)* Interface (II)*		USB1.1, GPIO USB2.0, UART, SPI, ADC, GPIO	
Dimensions	35.8(W) x 36.1(D) x 8.7(H) mm	74(W) x 86(D) x 17(H) mm	74(W) x 86(D) x 17(H) mm

* USB 1.1 control board, ** USB 2.0 control board



UM1000



MS1200 / MS2000

販売代理店 ディスクテック株式会社
電話 053-450-3781
sales@disctech.co.jp